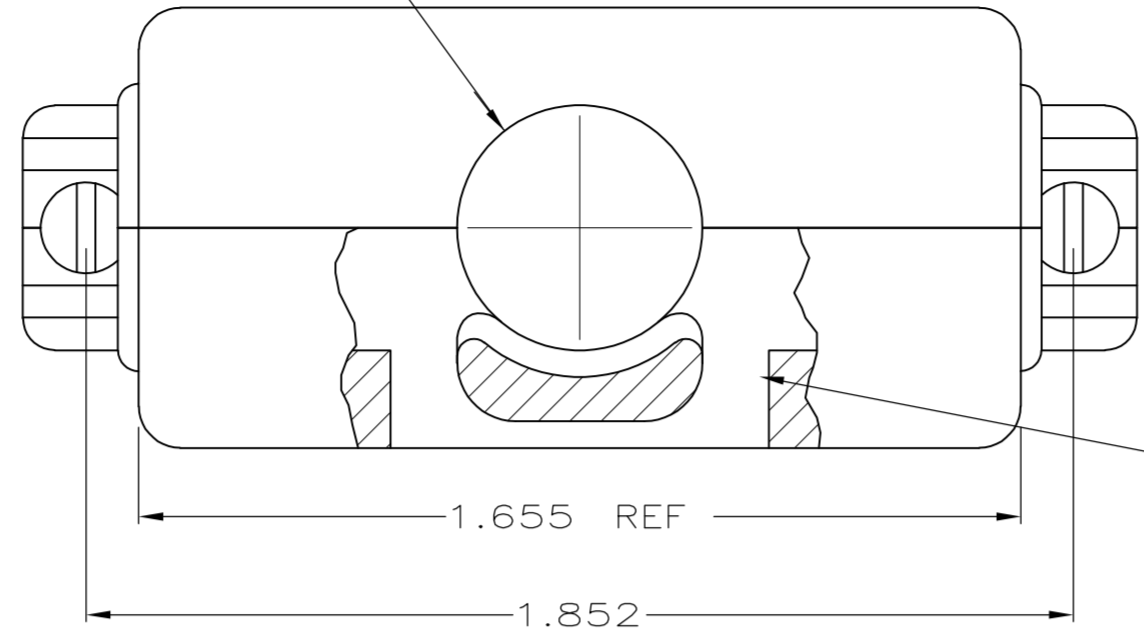


THIS DRAWING IS UNPUBLISHED. RELEASED FOR PUBLICATION  
 © COPYRIGHT 2006 By - ALL RIGHTS RESERVED.

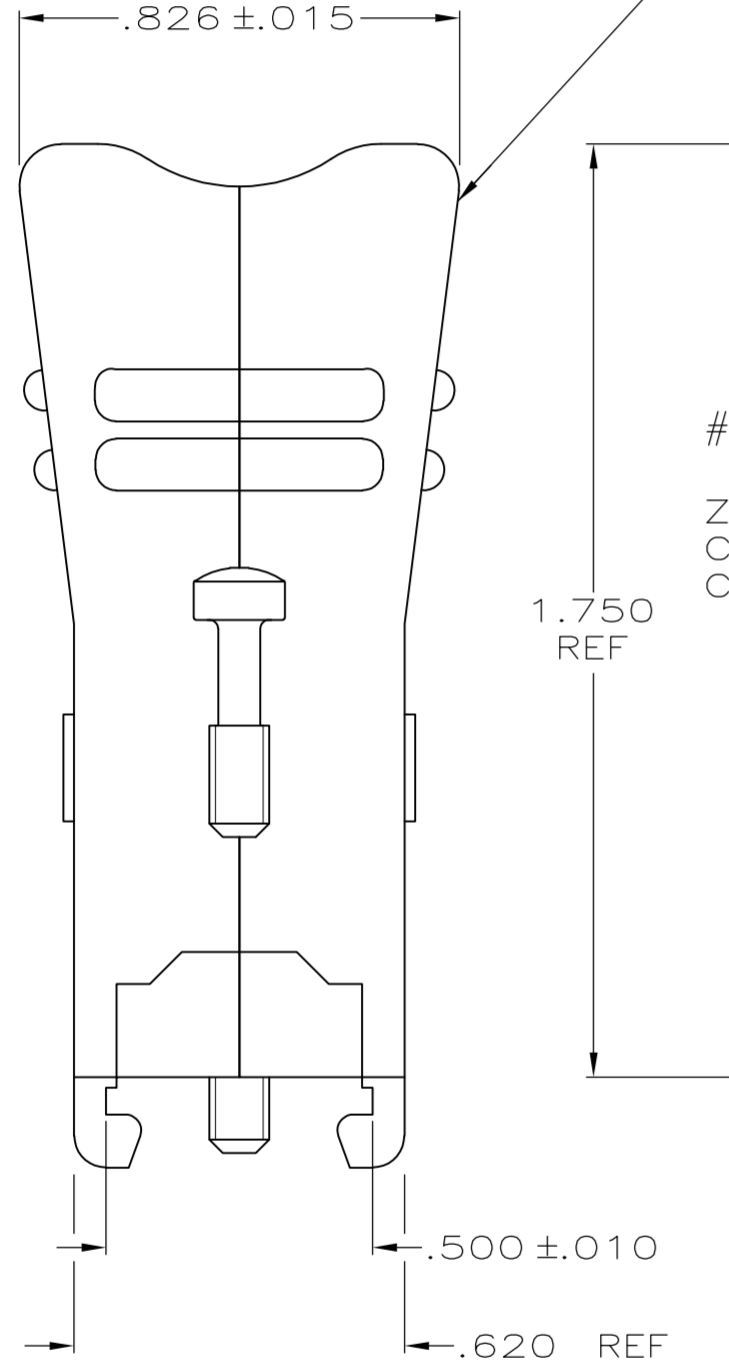
LOC	DIST	REVISIONS			
P	LTR	DESCRIPTION	DATE	DWN	APVD
GP	00				
P		REVISED PER ECO-11-004835	11MAR11	RK	HMR

.335 MAX DIA  
CABLE OPENING



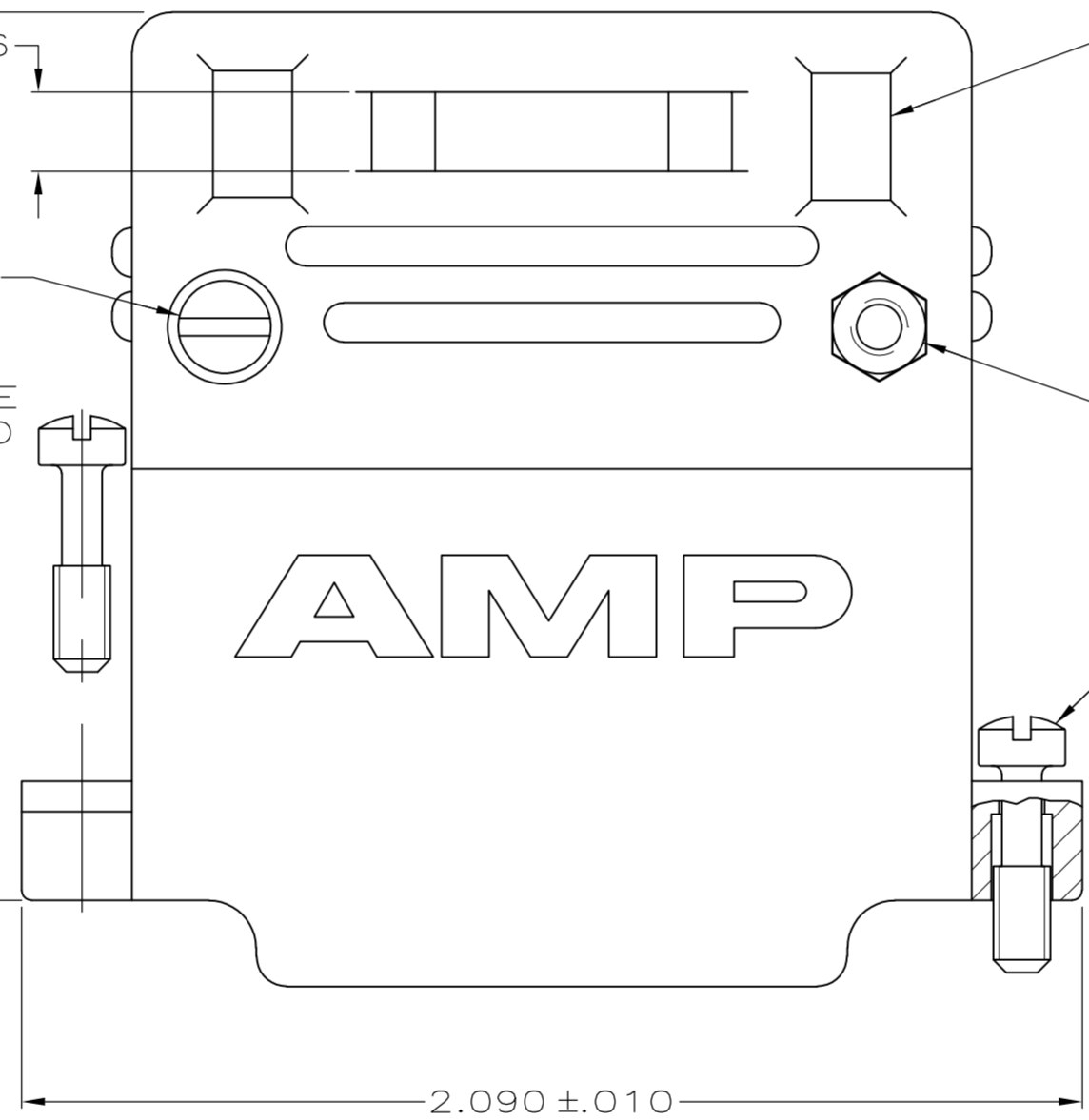
INTERNAL CABLE  
TIE OPENINGS

TWO PIECE CABLE  
SUPPORT HOUSING.  
MATERIAL: THERMOPLASTIC, GRAY



1.750  
REF

#4-40 STEEL,  
SCREW,  
ZINC PLATED,  
CLEAR CHROMATE  
COATED, 2-REQD



EXTERNAL CABLE  
TIE OPENINGS

#4-40 HEX NUT, STEEL,  
ZINC PLATED CLEAR CHROMATE COATED

#4-40 CRS SCREW,  
ZINC PLATED, 2 REQD  
YELLOW CHROMATE COATED

1. THIS PART WILL FIT ANY STANDARD SIZE 3 PLUG OR RECEPTACLE IN THE AMPLIMITE SERIES.
2. ALL PARTS ARE PACKAGED UNASSEMBLED.

1 KIT PER POLY BAG	5206472-1
PACKAGING	PART NUMBER

THIS DRAWING IS A CONTROLLED DOCUMENT.		DWN	R.RICHARDSON	31AUG05		TE Connectivity					
DIMENSIONS: INCHES		CHK	C.ROHDE	31AUG05		NAME					
		APVD	M. WALMSLEY	31AUG05		CABLE CLAMP ASSEMBLY, 180 DEG , SIZE 3, 25 POSITION, AMPLIMITE HD-20					
TOLERANCES UNLESS OTHERWISE SPECIFIED:		PRODUCT SPEC	APPLICATION SPEC			SIZE	CAGE CODE	DRAWING NO	RESTRICTED TO		
MATERIAL		FINISH	WEIGHT		A2 00779		C=5206472		—		
SEE CALLOUTS		SEE CALLOUTS		CUSTOMER DRAWING		SCALE	3:1	SHEET	1 of 1	REV	P